

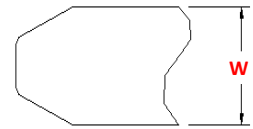
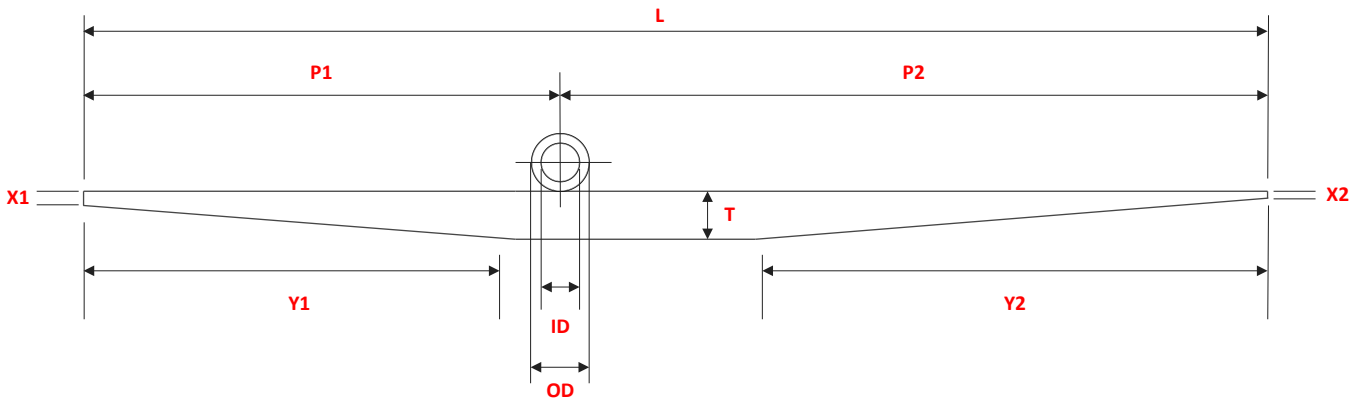
ORDER PICKER FORKS



Company Name: _____ Phone: _____

Contact Name: _____ E-mail: _____

Truck make & model: _____ Capacity: _____



Fork dimensions

T _____

W _____

L _____

Y1 _____ Y2 _____

X1 _____ X2 _____

Tube position and diameter

P1 _____ P2 _____

OD _____ ID _____

Comments: _____

Contact us at:
803-980-6800
sales@msiforksinc.com
For more information:
www.msiforksinc.com

Completed by: _____ Date: _____